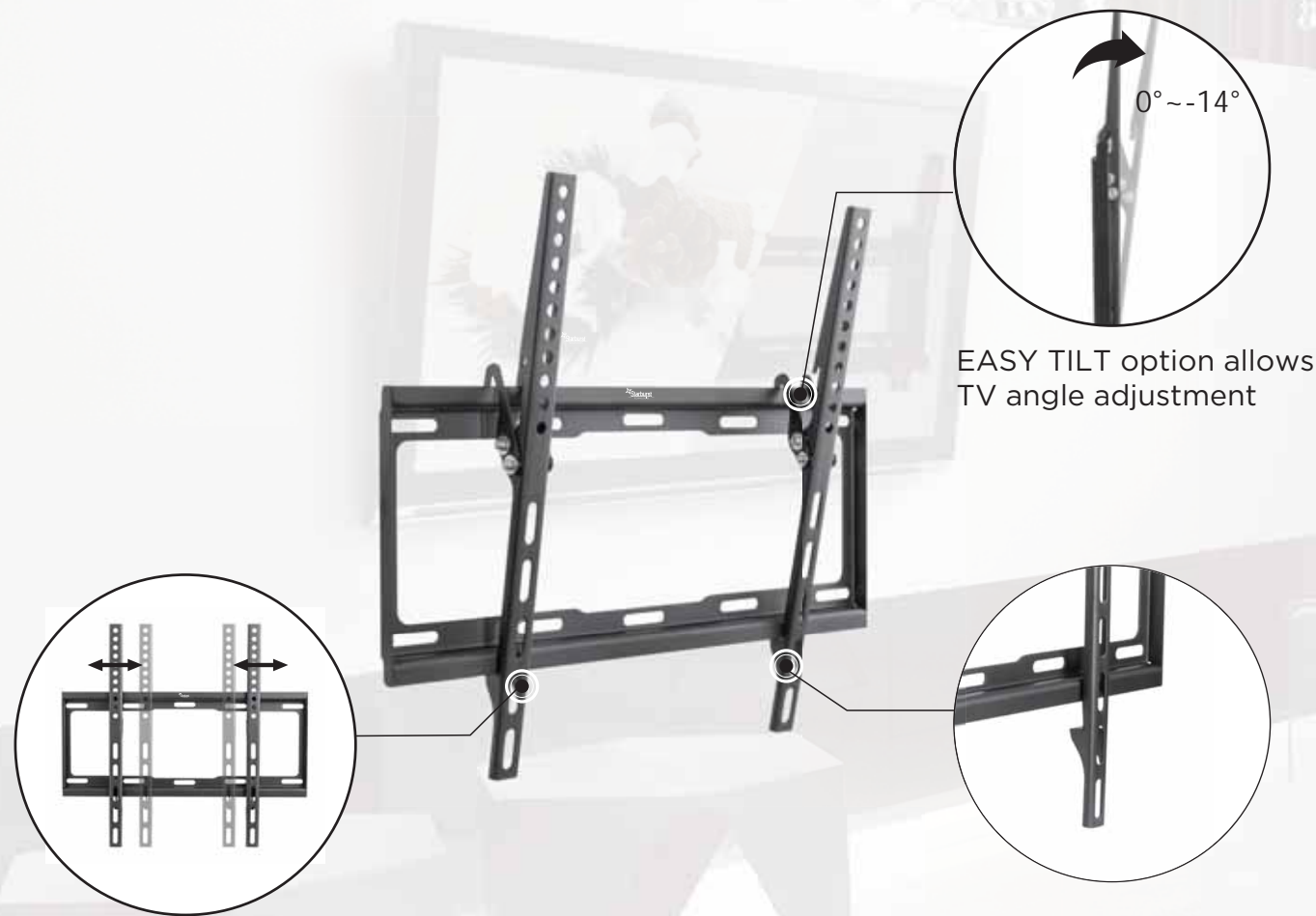


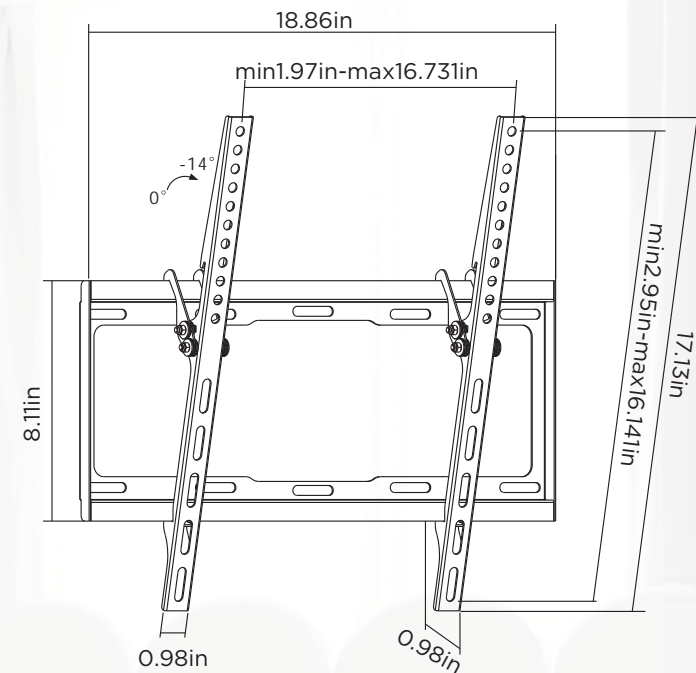
Pro Series Tilt TV Wall Mount For 32-55" Displays SB-3255WMT



EASY TILT option allows TV angle adjustment

Lateral shift allows TV to slide left and right for perfect placement

Slim Profile Under 1" (25mm)



Specifications

Screen Size	Weight Capacity	VESA	Profile to Wall	Strength Tested
32"-55"	35 kg / 77 lbs	200x200 300x300 400x200 400x400	25 mm / 1"	Four Times

Packing Information

Single Unit [inch]	Master Carton [inch]	QTY/Carton	Weights [lbs]	QTY 20' CONTAINER	QTY 40' CONTAINER
8.46"x1.18"x19.09"	19.7"x9.1"x12.4"	10 PCS	3.6 lbs single / 37 lbs carton	7,450 PCS	15,460 PCS

Units are packaged in a professional quality box that include all of the necessary installation hardware and easy to follow instructions.

www.starburstmounts.com